

Installation instructions for PZ4AL-02209-00

**Lexus GS 350 AWD, Lexus GS 350 AWD F-sport**

Under Run Protective Shield engine bay



Model Year: 2012-

Vehicle Code: GRL15L-BETQHW

Part Number: Steel: PZ4AL-02209-00

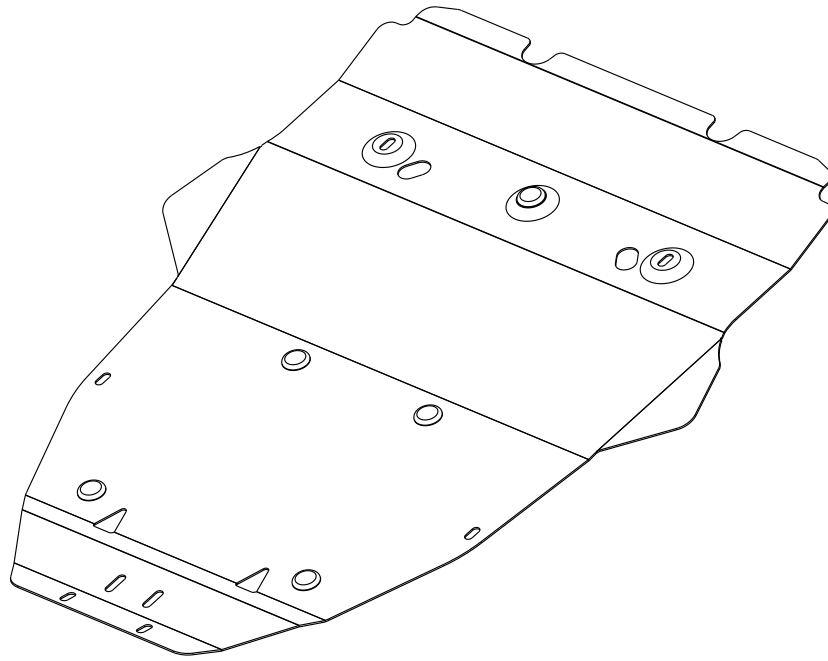


Weight: Steel: 16,91



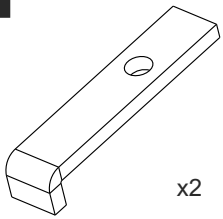
Installation Time: 30 min

**A**



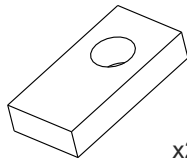
PZ4AL-02209-60

**B**



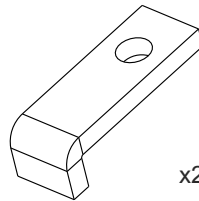
x2

**C**



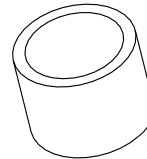
x2

**D**



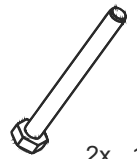
x2

**E**



x2

**F1**



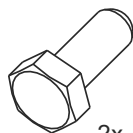
2x 10x60

**F2**



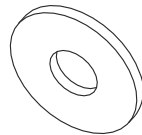
2x M8x20

**F3**



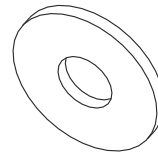
2x 10x20

**G1**

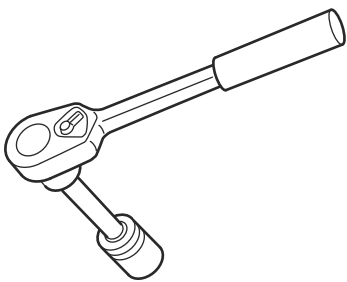


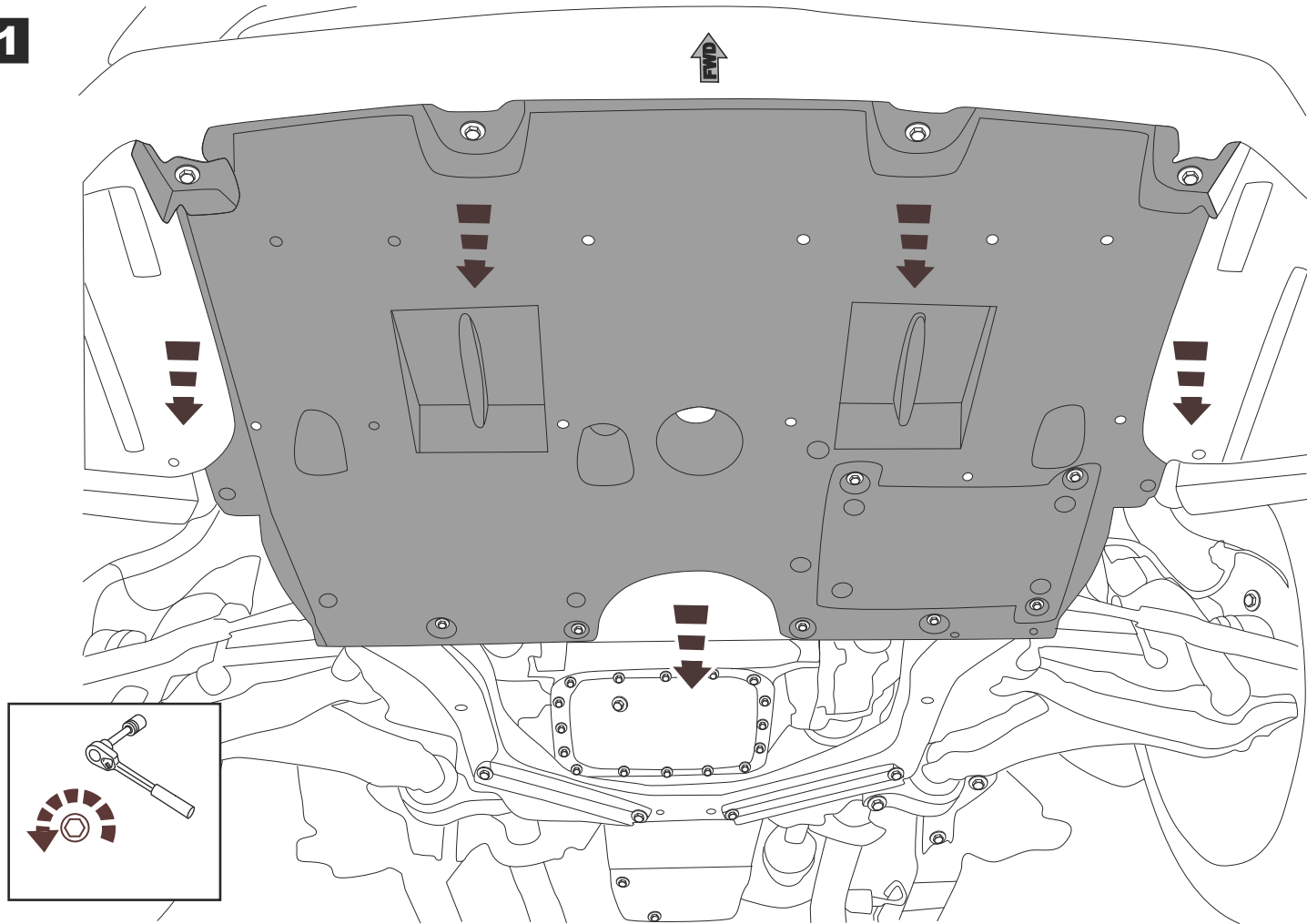
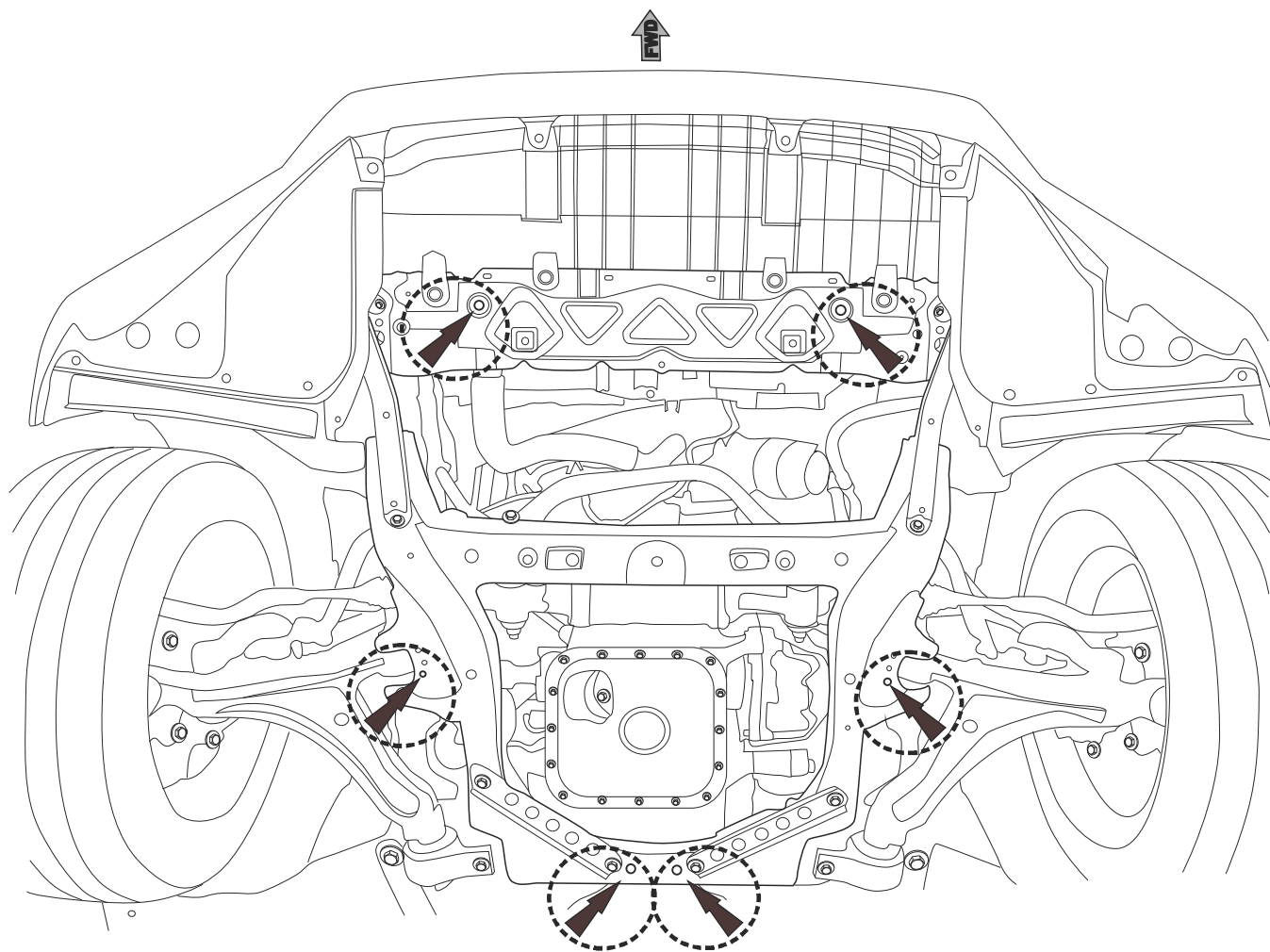
2x Ø8

**G2**

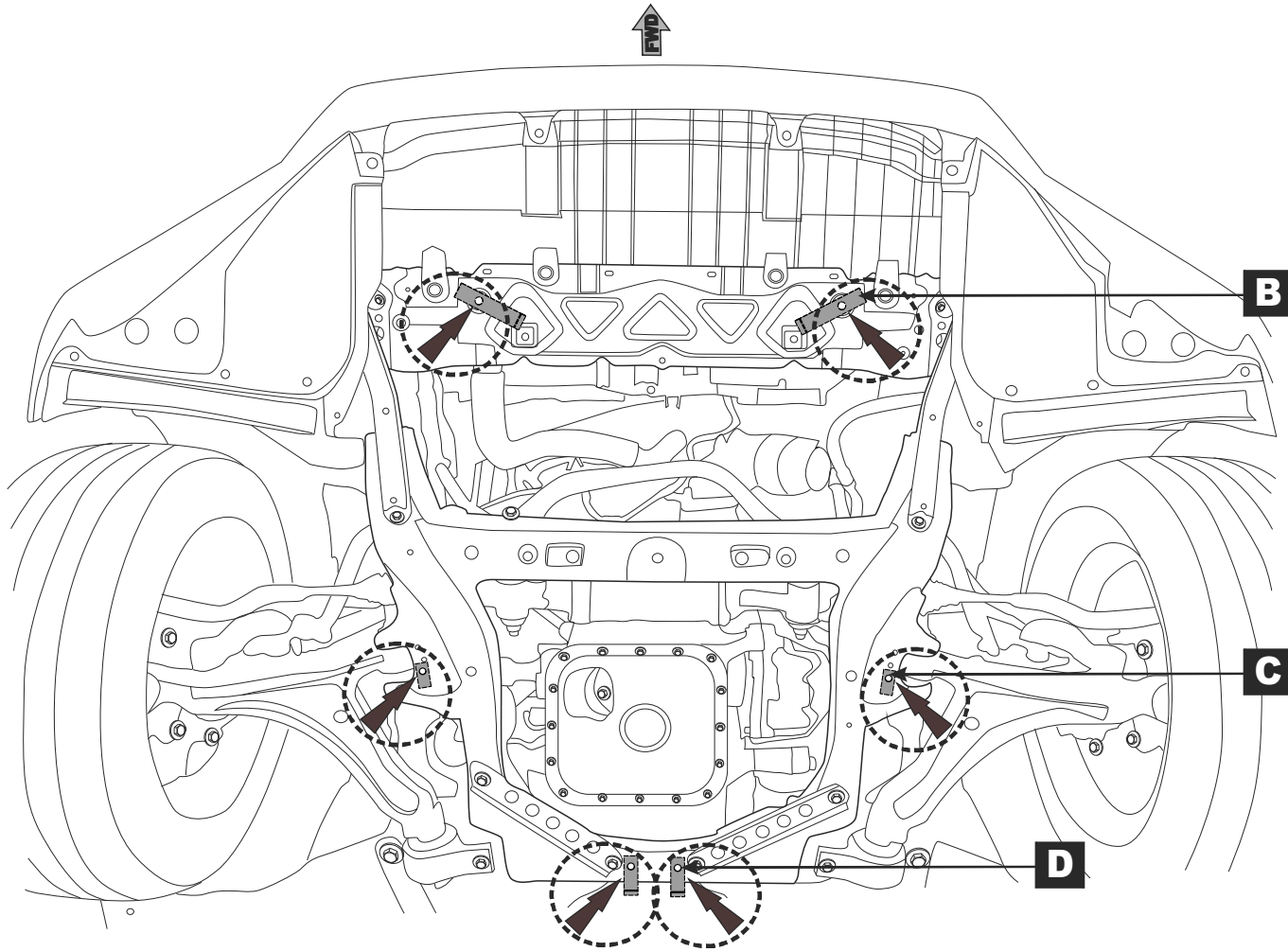


4x Ø10

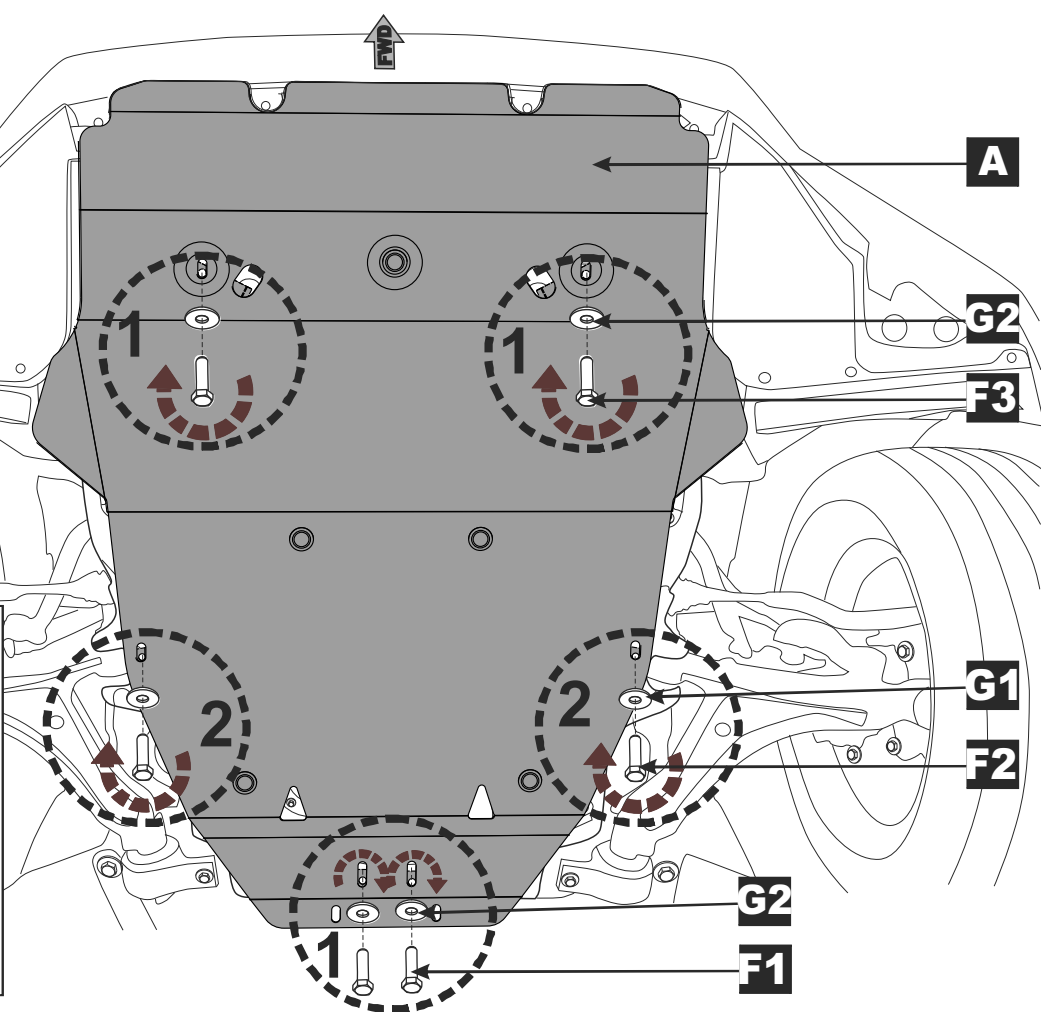
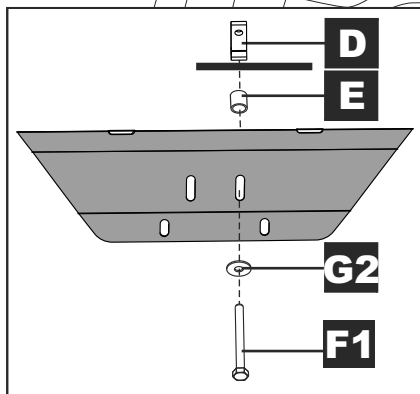
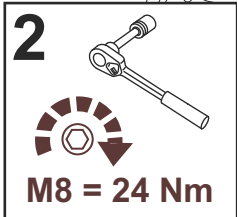
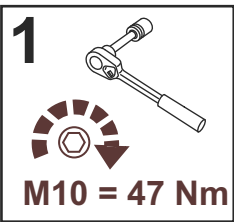


**1****2**

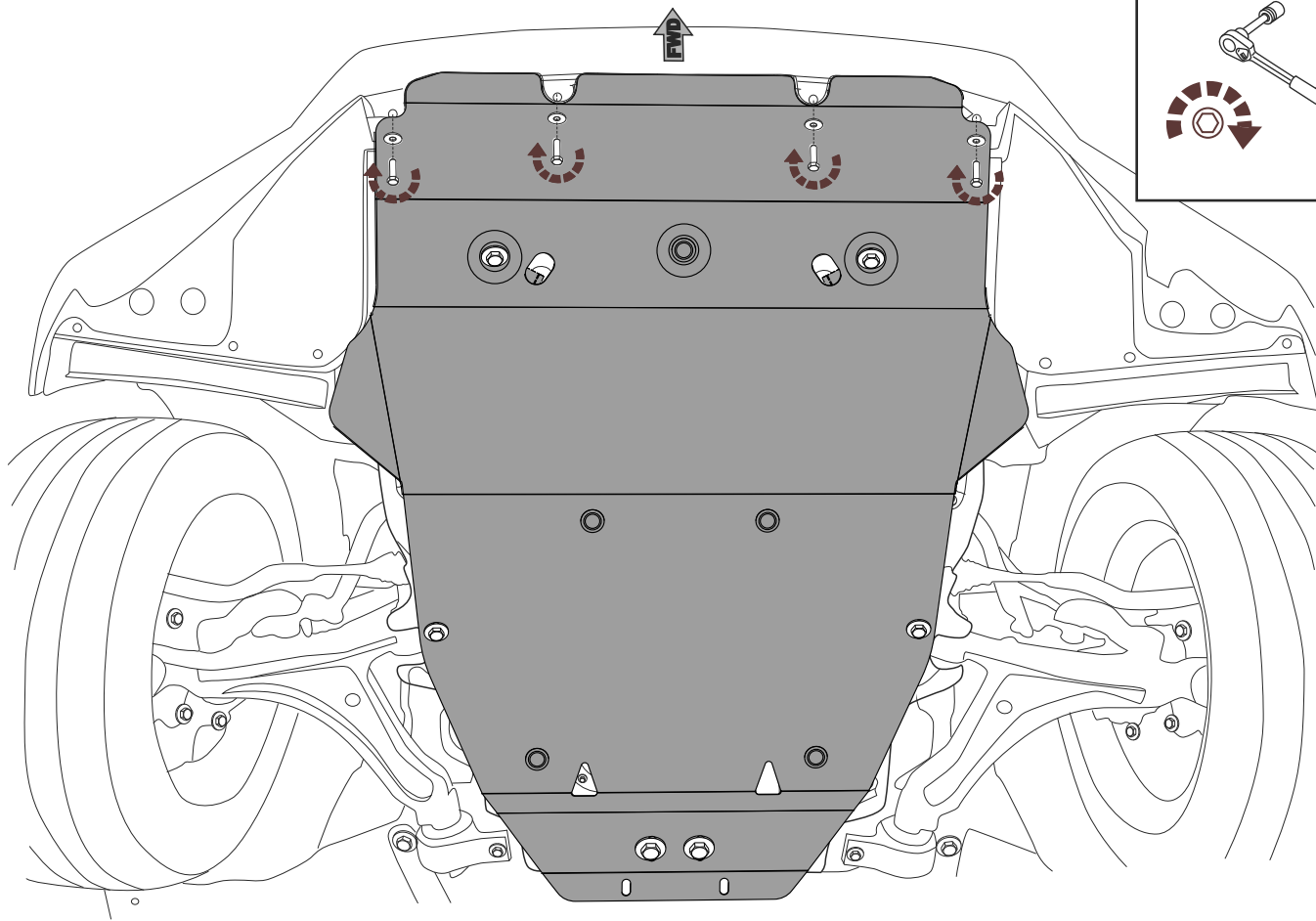
**3**



**4**



5



6

